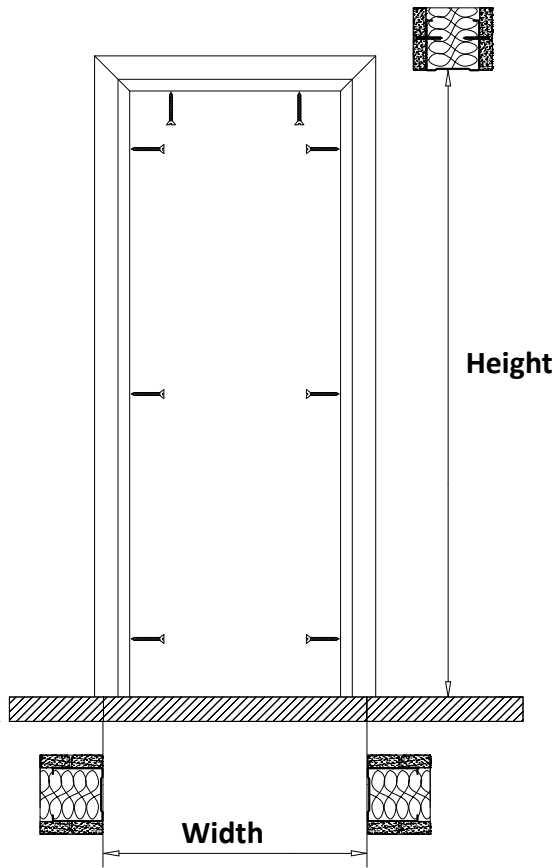
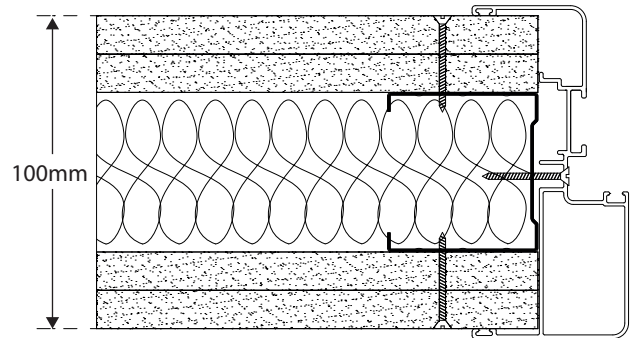
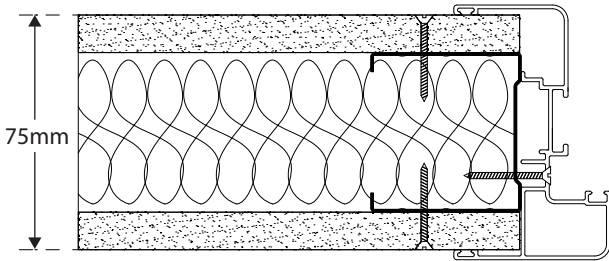




Application details and dimensions of fixed frames and doors for plasterboard partitions

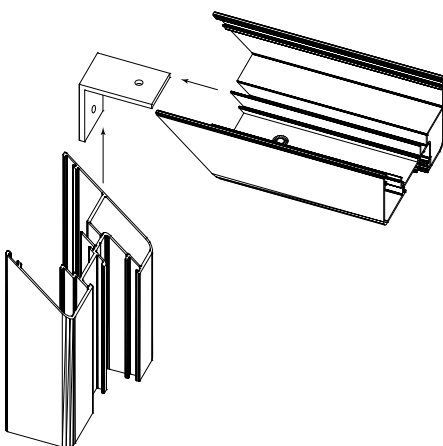


Width (stand – stand)	Height (floor – ledge)	Dimensions of door leaf
660mm	2135mm	614x2104mm
760mm	2135mm	714x2104mm
860mm	2135mm	814x2104mm
960mm	2135mm	914x2104mm

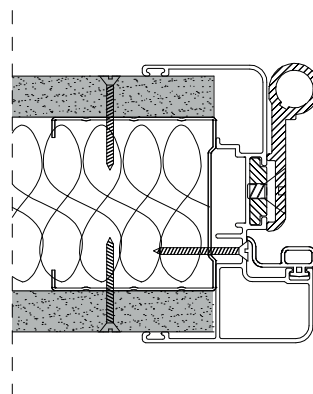
Available in special dimensions upon request

The package includes hinges, connection angles, rubber, screws.

Application of joint angle



Application of a hinge to a frame



Application of a hinge to a door leaf.

