



Exposed substructure square suspended ceiling installation instructions

Lay-in + Lay-on





IMS exposed substructure square suspended ceiling installation follows certain basic steps which are briefly presented below. SCP PRODUCTION strongly recommends that they are followed by every installation team so that the proper and acceptable result is achieved.

STEP 1: Perimeter profile installation

In order to install the perimeter profile (Image 1) the suspended ceiling's general level must be first determined. This is achieved using a water hose in smaller spaces, or laser rays in larger spaces and for higher precision. Then, the profile is installed perimetrically on the spaces's vertical elements and all its corners, fixed in intervals of maximum distance of 450 mm. The suspended ceiling's minimum distance from the existing ceiling is 80mm.

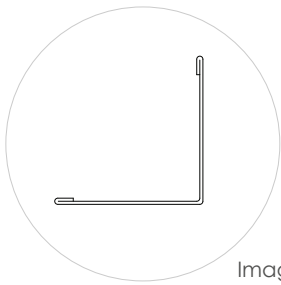


Image 1

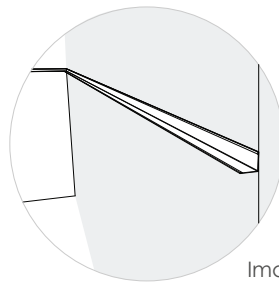


Image 2

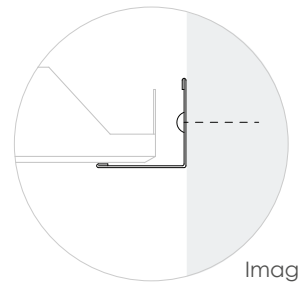


Image 3

STEP 2: Determining suspension points

The suspensions are placed along direction of the main runners (Code G1). The distance between the main runners should be 1200mm. The distance between successive suspensions along the main runner as far as allowed deflection and strength are concerned is determined by the ceiling's weight.

The suspensions are placed along direction of the main runners (Code G1). The distance between the main runners should be 1200mm. The distance between successive suspensions along the main runner as far as allowed deflection and strength are concerned is determined by the ceiling's weight.

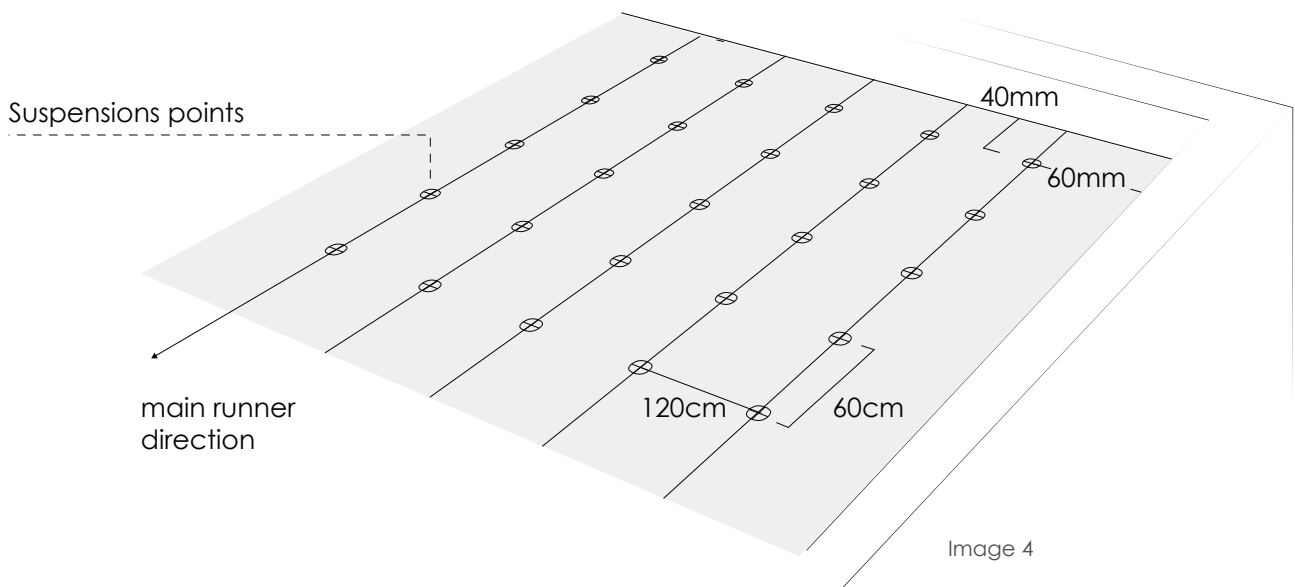


Image 4



STEP 3: Fixing suspensions

The steel anchors, that possess a special slot for hanger wires, are nailed into a hole of 8mm that is opened by electric drill (Image 5). Only steel anchors are recommended according to the standards, as they provide fire safety holding the suspended ceiling when high temperatures are developed. Height adjustment brackets (Image 6) are fixed on the hanger wires and the suspended ceiling's height is determined by the level the perimeter was installed in step 1. The suspension's height is not finalized in this step but later, with the assistance of the runners (Image 7). In case of air conditioning spouts their height and their positioning are determined so that they are properly placed in the grid.

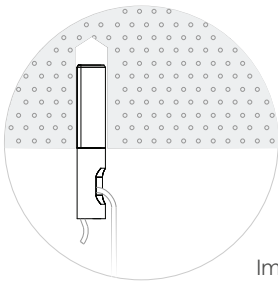


Image 5

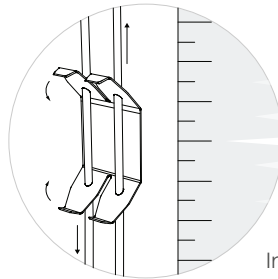


Image 6

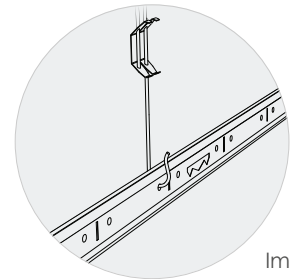


Image 7

STEP 4: Main Runners installation

After the wirehangers and the suspensions have been fixed, the next step is the main runners installation. They are installed in the direction of the fitter's choice (usually the one with bigger vector direction) and in intervals of 1,20 m (Image 2). The main runners are hung from the suspensions (Image 7), and one part of 7,5 that touches the wall is cut off so that the construction starts with a whole tile. The runners are joined in series by application notches (Image 9).

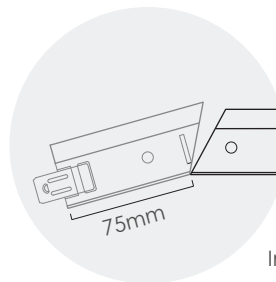


Image 8

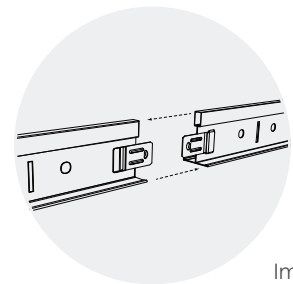


Image 9

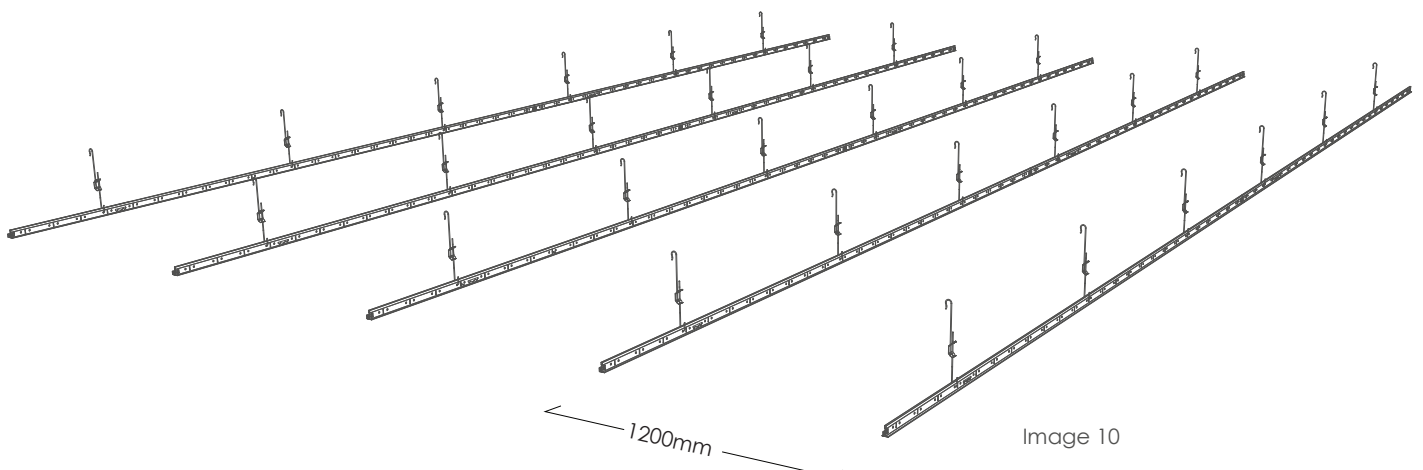


Image 10



STEP 5: Secondary elements of 1200mm installation

After the main runners have been placed in parallel and in intervals of 1,20m, the secondary runners of 1.2 length are fixed perpendicularly to the walls. The first one is fixed in a distance of 60 cm from the wall, while the rest are fixed every 60cm. This way the main runners, as well as the whole structure, are assembled through created grids, sized 0,6mx1.2m

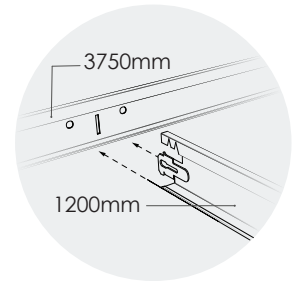


Image 11

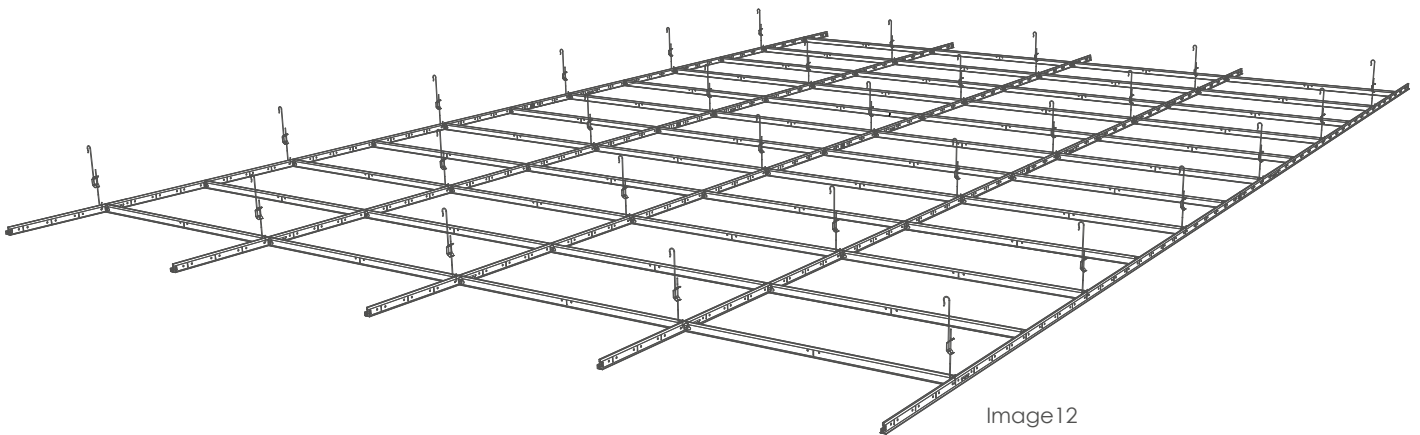


Image12

STEP 6: Secondary elements of 600mm installation

After the secondary runners of 1200mm, the secondary runners of 600mm are fixed in the same way (Image 13), creating the final grid sized 60cmx60 where the squared tiles of the ceiling will be placed. At this point, and while the secondary runners 600 are being fixed, it is recommended to sparsely place some of the ceiling tiles so that the distances between the components are right and the structure squared.

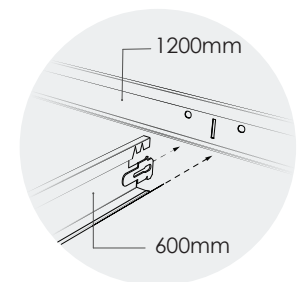


Image 13

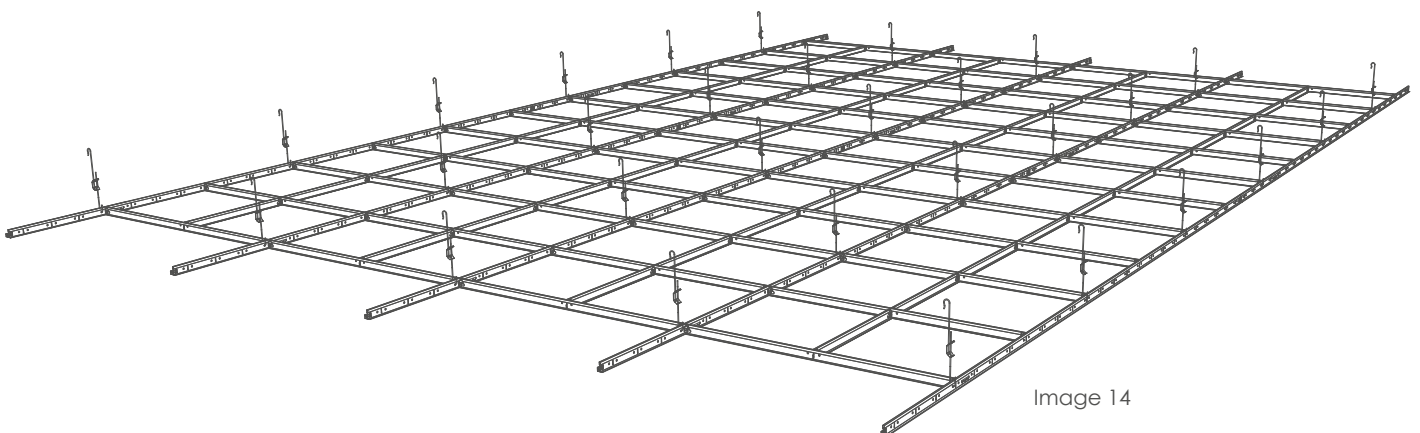


Image 14



STEP 7. Tiles installation and completion of structure

In order to complete the structure, the square tiles must be placed into the 600mm x 600mm grids. The perimetric tiles that are not fully fit are cut and placed with simple tools.

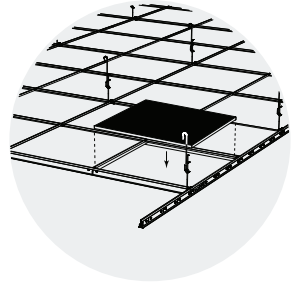


Image 15

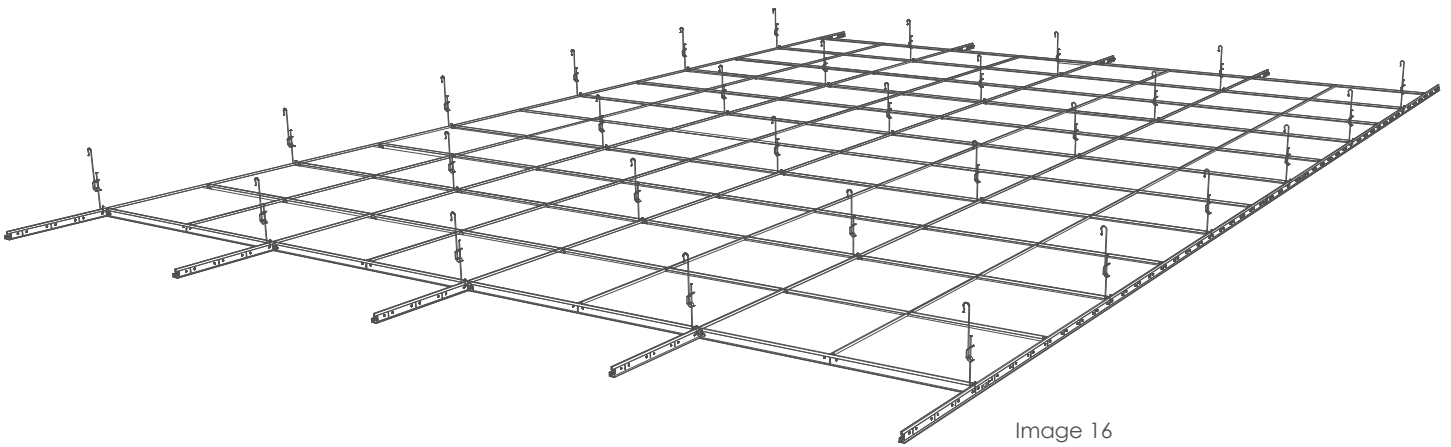


Image 16



During the tiles installation the suspended ceiling is constantly squared and leveled..



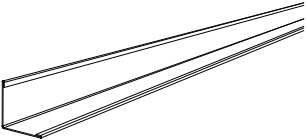



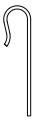

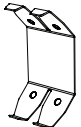

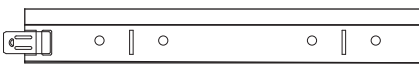







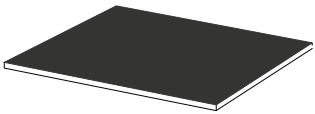

For all the cuttings proper tools should be used and all safety rules be followed



The use of gloves is necessary during the installation of the tiles.



SQUARE CEILING, CONCEALED SYSTEM – ACCESSORIES CATALOG

	7010	Perimeter angle 24x24x3.05	40/ 
	An-8	Metal suspension anchor 8mm	500/ 
	Sg-3	Suspension hanger wire 3mm	50/ 
	S3	Suspension bracket	500/ 
	80150 60150	Main runner 3750mm	25/ 
	84150 64150	Cross Tee 1200mm	50/  / 75/ 
	82150 62150	Cross Tee 600mm	75/  / 100/ 
		Square tile	* 

*Quantity Per package depends on ceiling type.

